



**Model 160 Assembly**  
(Right Side Configuration)

## MOTO-TRAC® MODEL 160

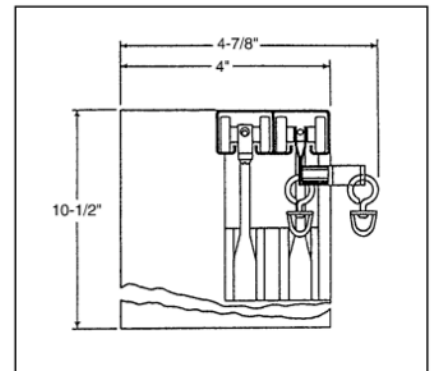
MOTO-TRAC is a straight, motorized, aluminum track for light-to-medium weight draperies. The track can be one-way draw or bi-parting. Unlimited center overlap can be specified as an option. The curtain machine is attached to the track channel and may be located at either end of the track (must be specified when ordering) where it is concealed by the drapery fabric. Curtain machine characteristics are similar to those of Tom Thumb Model 872-MCS except that the limit switches are located at one end of the track. The curtain stops automatically at its fully opened and fully closed positions.

### WHEN ORDERING PLEASE ADVISE:

1. If operation will be bi-part or one-way.
2. If system will be motorized or manual operation.
3. If the machine is located on the left or right side of the track.  
(Perspective is inside looking out the window)



**Model ACS-2**  
Remote Control  
Station



**Cross Section  
of 160 Track**  
Min. pocket width: 5-3/4 in.

	<b>MOTO-TRAC® MODEL 160</b>		
	Project:		Date:
	Drawing #:		Scale: Not to Scale
<b>Theatrical Stage Curtains, LLC.</b> www.TheatricalStageCurtains.com • P: (877) 610-1555 F:(440) 233-1122			