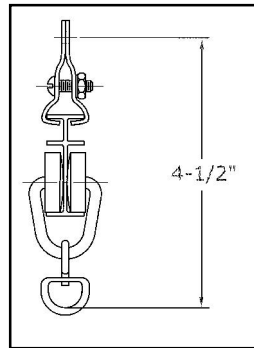


# FLEX-I-TRAC® 132 SERIES CURTAIN TRACKS

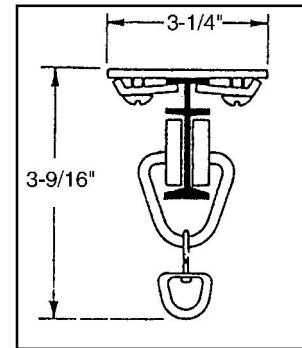


Model 132 Assembly

**Cross Section  
of 132 Track Suspended**  
Min. pocket width: 4 in.



**Cross Section  
of 132 Track Ceiling Mount**  
Min. pocket width: 4 in.



## FLEX-I-TRAC® MODEL 132

FLEX-I-TRAC is a light-to-medium duty cyclorama I-beam type track designed for light to medium weight stage and TV studio curtains, hospital cubicle curtains, and for enclosing industrial welding booths. This economically priced track is supplied for "walk-along" operation only with no cord, pulleys or master carriers. The track can be curved on-the-job (or at the factory) to virtually any degree on a 2' minimum radius. For most satisfactory track operation the track should be solidly anchored to the ceiling with the use of ceiling clamps or suspended from a pipe backbone.

When ordering, advise whether the track is to be ceiling-mounted or suspended.

### MODEL 132

Model 132 features the No. 1301 Nylon Single Carriers.

### MODEL 132-A

Same as Model 132 except Model 132-A features the No. 1301-A Nylon Single Carriers.

### MODEL 132-B

Same as Model 132 except Model 132-B features the No. 1337 Nylon Ball-Bearing Single Carriers.

### MODEL 132-C

Same as Model 132 except Model 132-C features the No. 1337-A Nylon Ball-Bearing Single Carriers with non-binding lips.

**A scaled drawing or template must accompany each inquiry or order for model 132 Flex-I-Trac® curved tracks.**



## Flex I Trac 132 Track

Project:	Date:
Drawing #:	Scale: Not to Scale

**Theatrical Stage Curtains, LLC.**

www.TheatricalStageCurtains.com • P: (877) 610-1555 F:(440) 233-1122